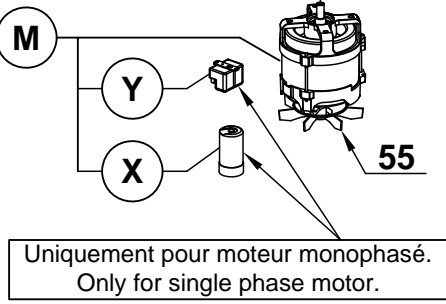
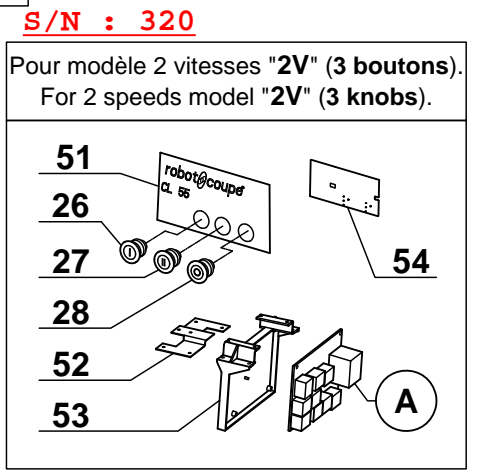
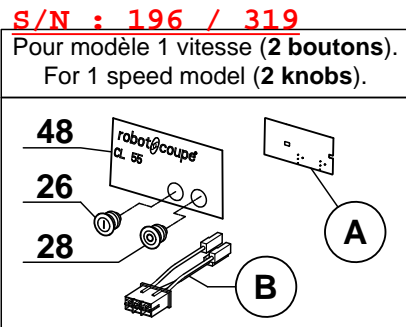
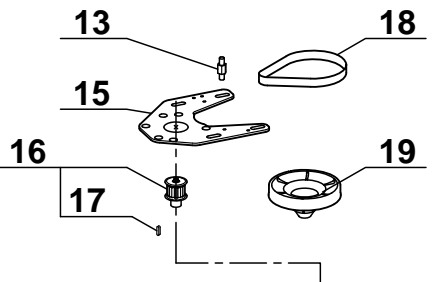
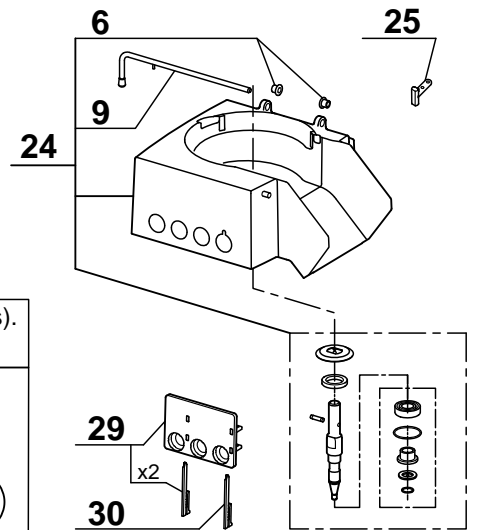
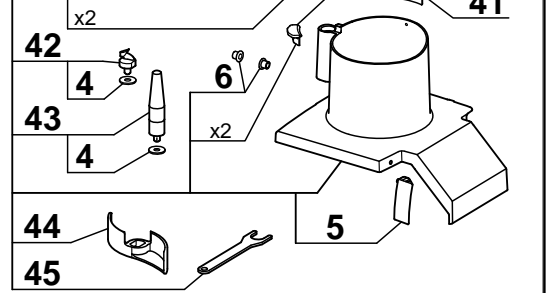
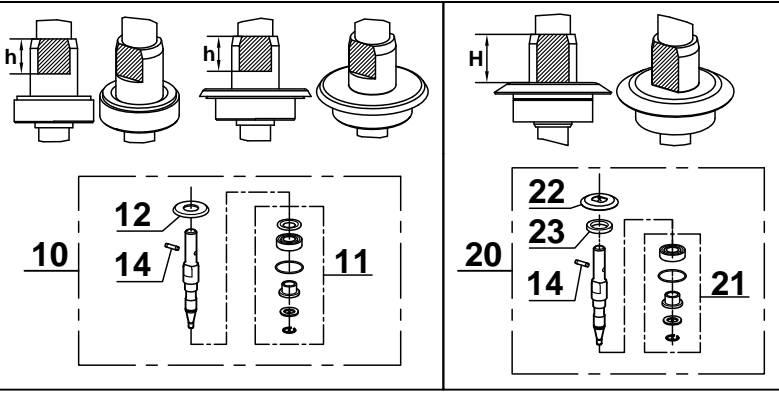
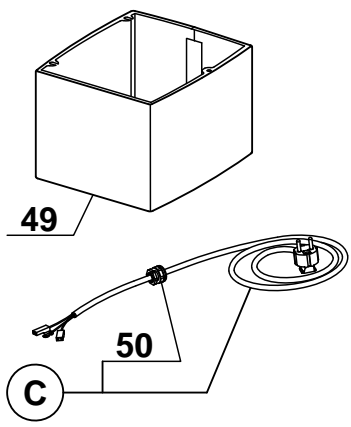


ATTENTION : Il existe 2 configurations au niveau de l'arbre de transmission et des joints d'étanchéité associés. Choisir parmi les repères 10 à 12 ou 20 à 23, selon la hauteur des **plats d'entraînement** de l'arbre de transmission sur votre machine.
h = 18,5 mm ; H = 25,5 mm

WARNING : There are 2 configurations regarding the transmission shaft and the associated seals. Choose among indexes 10 to 12 or 20 to 23, according to the height of the transmission shaft **driving flats** on your machine.



Uniquement pour moteur monophasé.
 Only for single phase motor.



Index PDF	Référence	Designation commerciale	Tarif
A	403700 103700S	CIRCUIT BOARD	162.30 EUR
C	515570	POWER CORD	38.30 EUR
M	303170	MOTOR	463.20 EUR
1	28170	BULK FEED	1,399.00 EUR
2	101589	AUTO FEED HEAD CRANK	67.60 EUR
3	117777	AGITATOR	30.60 EUR
4	117200	WASHER	1.90 EUR
5	29501	CLINCH CLIP D ASSEMBLY	60.20 EUR
6	29058	SHOULDERED RING ASSEMBLY (2)	8.20 EUR
7	117821	NO MORE AVAILABLE	0.00 EUR
8	402690 102690S	GREY SLING PLATE	14.20 EUR
9	400703 29061	HINGE PIN	24.00 EUR
10	29693	DRIVING SHAFT ASSEMBLY	198.70 EUR
11	29630	BEARING ASSEMBLY	39.60 EUR
12	39197	SEAL ASSEMBLY	29.50 EUR
13	119145	SUPPORT BRACE	5.30 EUR
14	440308 110308S	MOTOR SHAFT PIN	3.20 EUR
15	117689	MOTOR SUPPORT PLATE	35.00 EUR
16	29532	MOTOR PULLEY ASSEMBLY	70.10 EUR
17	502768	KEY	2.50 EUR
18	515482 515482S	BELT	41.20 EUR
19	112288	DRIVEN PULLEY	110.50 EUR
20	39199	DRIVING SHAFT ASSEMBLY	208.10 EUR

21	39273	BEARINGS+SEALS	39.60 EUR
22	101547	DEFLECTOR	3.20 EUR
23	501678 501678S	MOTOR SEAL	8.40 EUR
24	39471	BOWL + SHAFT ASSEMBLY	494.40 EUR
25	102390	REED SWITCH	10.70 EUR
26	502170 502170S	FLAT GREEN KNOB I	15.90 EUR
27	503268 503268S	GREEN KNOB SPEED II	15.80 EUR
28	502469 502169S	FLAT RED KNOB	15.90 EUR
29	29533	PCB SUPPORT ASSEMBLY	15.30 EUR
30	117703	PCB LOCKING KEY	1.10 EUR
31	28103	PUSHER FEED HEAD	1,160.00 EUR
32	29710	PUSHER LEVER	112.50 EUR
33	509200	PLASTIC HANDLE	13.50 EUR
34	103205	SMALL ROD	56.90 EUR
35	29704	PUSHER SUPPORT ASSEMBLY	134.30 EUR
36	118331	PUSHER SLIDE BUSHING	2.90 EUR
37	118397	SMALL PUSHER	47.70 EUR
38	29705	MAGNET CASE ASSEMBLY	49.00 EUR
39	29709	PUSHER ASSEMBLY	173.80 EUR
40	29706	PUSHER STOP ASSEMBLY	9.90 EUR
41	117321	PUSHER GUIDE BUSHING x2	2.00 EUR
42	29692	GROOVER ASSEMBLY	52.90 EUR
43	29156	FEEDING CONE ASSEMBLY	78.30 EUR
44	118420 118420S	CABBAGE EJECTING PLATE	14.60 EUR

45	118436	LOCK NUT WRENCH	11.40 EUR
46	117687	BOTTOM PLATE	54.40 EUR
47	500247	GREY FOOT	2.00 EUR
48	406517	FRONT PLATE	17.50 EUR
49	117791	S. STEEL BASE COVER	190.10 EUR
50	515515 515515S	CORD PROTECTOR	4.40 EUR
51	402312	FRONT PLATE	17.50 EUR
52	105230	PCB SUPPORT PLATE	14.40 EUR
53	117809	CIRCUIT BOARD SUPPORT	6.60 EUR
54	117813 117813S	SWITCHES BOARD	27.90 EUR
55	104925 39286	FAN	28.70 EUR